



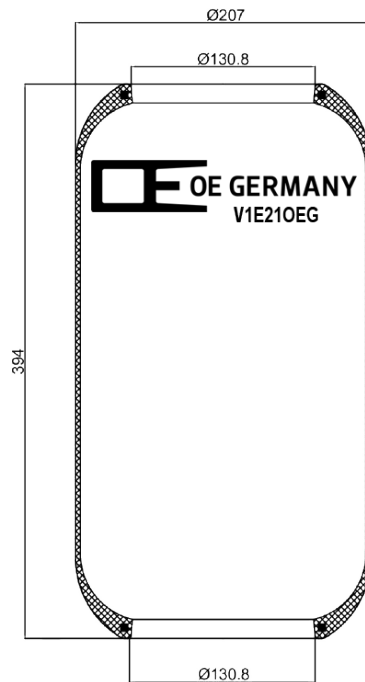
V1 E21 OEG Information

OEG Reference	V1 E21 OEG / 99 3270 000000
Product Name	Rolling Lobe Air Spring
OEM Reference	02.200.24.40.o 199 196 o 689 677 A 327 327 01 01 546 905 134 4771441000 536 905 265 81.43601.0011 A 613 327 00 01 AA 10-01-300 63-0187 MLF7001 0.003.270.101 624319-610 O 689 677 3 159 252
Suitable For	Bpw Breda Menarini Daf Eva Bus Hanog Kassbohrer Magirus Man Mercedes-Benz Neoplan Prevost Ror Meritor Setra Van Hool Vdl Bus Volvo
Vehicle Class	Europe
Vehicle Type	Bus Trailer
Weight	1,4 kg
Packaging Dimensions	80 x 120 x 70 cm
Quantity in Package	60

05/2024



Product Features	
Height	394
Diameter (mm)	207



05/2024



OEM No	
Volvo	3 159 252
Volvo	1622 111
Volvo	1199 893
Volvo	1134 445
VdlBus	0 689 677
Van Hool	624319-610
Van Hool	624319-420
Setra	3270101
Ror-Meritor	MLF7001
Prevost	63-0187
Neoplan	AA 10-01-300
Neoplan	536905266
Neoplan	536905265
Neoplan	100112 254
Neoplan	100110 300

05/2024

Headquarter:

OE Germany GmbH

Fritz-Müller-Str. 100 - 104

73730 Esslingen

www.oe-germany.com
sales@oe-germany.de



OEM No	
Mercedes-Benz	A 613 327 00 01
Mercedes-Benz	A 364 327 70 01
Mercedes-Benz	A 327 328 00 01
Mercedes-Benz	A 307 328 00 01
Mercedes-Benz	A 307 327 01 01
Mercedes-Benz	A 307 327 00 01
Mercedes-Benz	A 000 327 02 01
Mercedes-Benz	A 000 327 01 01
Man	81.43601.0017
Magirus	536 905 265
Kassbohrer	4771441000
Kassbohrer	4771170000
Kassbohrer	4771143000
Hanog	546 905134
Evo Bus	A 327 327 01 01

05/2024



OEM No	
Evo Bus	A 327 327 00 01
Evo Bus	A 322 327 03 01
Evo Bus	A 302 327 00 01
Evo Bus	A 000 327 03 01
Evo Bus	A 000 320 03 21
Daf	0 689 677
Breda Menarini	199196
Bpw	02.200.24.40.0
CROSS No	
Contitech	644 NP
Contitech	644 N
Taurus	B 121
Prime-Ride	8017
Phoenix	1E 21
Goodyear	8017

05/2024



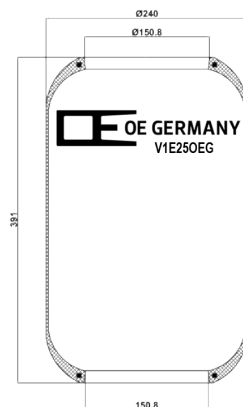
CROSS No	
Gart Ref.	D276/B
Firestone Style	IRIA-390-295
Firestone	W0I-095-0118
Dunlop	PNP301470102
Dunlop	D11501
Cf Gomma Ref.	15 285-24
CfGomma	92574

05/2024



V1 E25 OEG Information

OEG Reference	V1 E25 OEG / 99 3270 000002
Product Name	Rolling Lobe Air Spring
OEM Reference	A 410 327 00 01 4746733 4731042000 1021 002 00 11 37 888
Suitable For	Eva Bus Iveco Kassbohrer Neoplan Volvo
Vehicle Class	Europe
Vehicle Type	Bus Truck Trailer
Weight	1,7 kg
Packaging Dimensions	80 x 120 x 70 cm
Quantity in Package	60



05/2024



Product Features	
Height	391
Diameter [mm]	240
OEM No	
Volvo	1137 888
Neoplan	1021002 00
Neoplan	100112 250
Neoplan	100110100
Kassbohrer	4731042000
Kassbohrer	4731031000
Kassbohrer	4731012000
Iveco	4746733
Iveco	41822247
Evo Bus	A 410 327 00 01

05/2024



CROSS No	
Contitech	661 N
Taurus	B 114
Phoenix	IE 25
Goodyear	8018
Firestone Style	IRIC-390-310
Firestone	W0I-095-0021

05/2024



V1 E26A OEG Information

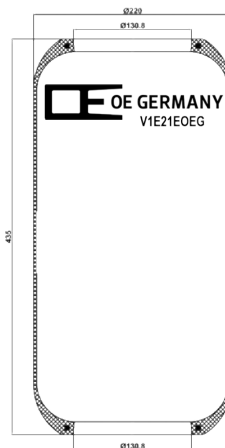
OEG Reference	V1 E26A OEG / 99 3270 00003
Product Name	Rolling Lobe Air Spring
OEM Reference	
Suitable For	-
Vehicle Class	-
Vehicle Type	-
Weight	1,8 kg
Packaging Dimensions	80 x 120 x 70 cm
Quantity in Package	54
CROSS No	
Contitech	702 N

05/2024



V1 E21 E OEG Information

OEG Reference	V1 E21 E OEG / 99 3270 000018
Product Name	Rolling Lobe Air Spring
OEM Reference	178 741 4716989 4716989 769388 MLF712S
Suitable For	Breda Menarini Iveco Iveco Bus Pegaso Ror-Meritor
Vehicle Class	Europe
Vehicle Type	Bus Truck Trailer
Weight	1,8 kg
Packaging Dimensions	80 x 120 x 70 cm
Quantity in Package	54



05/2024



Product Features	
Height	435
Diameter [mm]	220
OEM No	
Ror-Meritor	MLF7125
Pegaso	769388
Pegaso	4716989
Pegaso	197145
Iveco Bus	4716989
Iveco	4716989
Breda Menarini	178 741

05/2024



CROSS No	
Contitech	945 N
Taurus	K 152
Phoenix	1 E 21 C
Goodyear	9014
Gart Ref.	D276
Firestone Style	IRIA-460-290
Firestone	W0I-095-0063
Dunlop	PNP301000101
Dunlop	D11502
Cf Gomma Ref.	15 285-25
CfGomma	97555

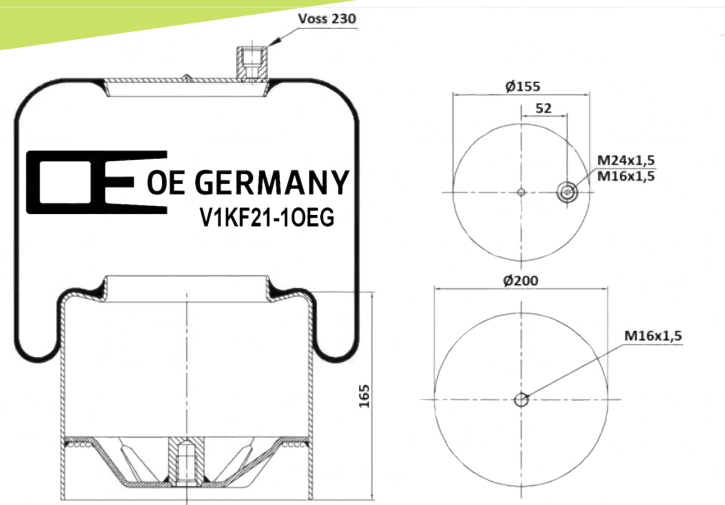
05/2024



V1 KF21-1 OEG Information

OEG Reference	V1 KF21-1 OEG / 99 3270 000013
Product Name	Air Spring Metal Piston
OEM Reference	A 942 320 49 21 (Voss 230)
Suitable For	Mercedes-Benz
Vehicle Class	Europe
Vehicle Type	-
Weight	6,6 kg
Packaging Dimensions	80 x 120 x 70 cm
Quantity in Package	39

05/2024



Product Features	
Height	292
Thread Size	M16 x 1,5 - M24 x 1,5
Diameter [mm]	243
OEM No	
Mercedes-Benz	A 942 320 49 21 (Voss 230)
Mercedes-Benz	A 942 320 28 21 (Voss 230)
Mercedes-Benz	A 942 320 01 21 (Voss 230)
Mercedes-Benz	942 320 49 21 (Voss 230)
Mercedes-Benz	942 320 28 21 (Voss 230)
Mercedes-Benz	942 320 01 21 (Voss 230)

05/2024



CROSS No	
Prime-Ride	9505 (Voss 230)
Phoenix	1 KF 21-1
Neotec	ABV 247 A 02 (Voss 230)
Firestone	W01-M58-8514 (Voss 230)
Contitech	4390 N P21 (Voss 230)
Contitech	4390 N P01
Cf Gomma	207765 (Voss 230)

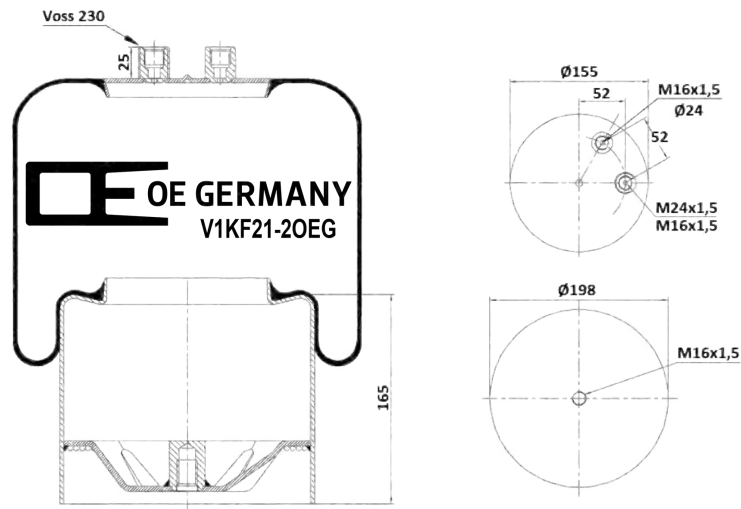
05/2024



V1 KF21-2 OEG Information

OEG Reference	V1 KF21-2 OEG / 99 3270 000014
Product Name	Air Spring Metal Piston
OEM Reference	A 942 320 50 21 (Voss 230) MLF8109 (Voss 230)
Suitable For	Mercedes-Benz Ror-Meritor
Vehicle Class	Europe
Vehicle Type	-
Weight	6,5 kg
Packaging Dimensions	80 x 120 x 70 cm
Quantity in Package	39

05/2024



Product Features	
Height	292
Thread Size	M16 x 1,5 - M24 x 1,5
Diameter [mm]	243



OEM No	
Ror-Meritor	MLF8109 (Voss 230)
Mercedes-Benz	A 942 320 50 21 (Voss 230)
Mercedes-Benz	A 942 320 29 21 (Voss 230)
Mercedes-Benz	A 942 320 02 21 (Voss 230)
Mercedes-Benz	942 320 50 21 (Voss 230)
Mercedes-Benz	942 320 29 21 (Voss 230)
Mercedes-Benz	942 320 02 21 (Voss 230)

05/2024



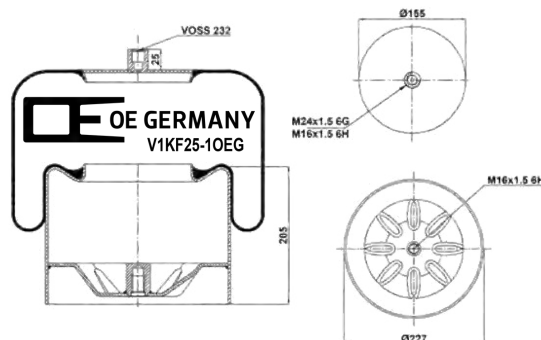
CROSS No	
Prime-Ride	9506 (Voss 230)
Phoenix	1 KF 21-2
Neotec	ABV 247 B 02 (Voss 230)
Firestone	W01-M58-8513 (Voss 230)
Contitech	4390 N P22 (Voss 230)
Contitech	4390 N P02
Cf Gomma	207766 (Voss 230)

05/2024



V1 KF25-1 OEG Information

OEG Reference	V1 KF25-1 OEG / 99 3270 000015
Product Name	Air Spring Metal Piston
OEM Reference	A 946 320 04 21
Suitable For	Mercedes-Benz
Vehicle Class	Europe
Vehicle Type	-
Weight	8,8 kg
Packaging Dimensions	80 x 120 x 70 cm
Quantity in Package	28



05/2024



OEM No	
Mercedes-Benz	A 946 320 04 21
Mercedes-Benz	A 942 320 38 21
Mercedes-Benz	946 320 04 21
Mercedes-Benz	942 320 38 21
CROSS No	
Contitech	4838 N P21
Prime-Ride	9521
Firestone Style	1R7Z-595-330A
Firestone	W01-M58-8512

05/2024